

TCX640HD Heavy-Duty Tire Changer

For Trucks, Buses, Tractors and Other Special Vehicles and Machines



HUNTER
Engineering Company

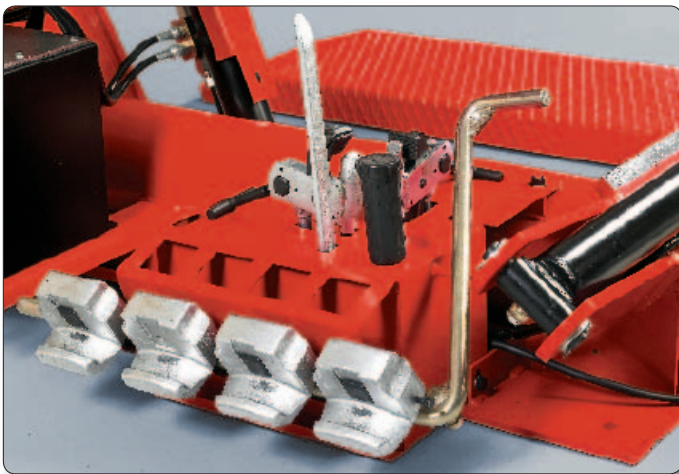
TCX640HD Heavy-Duty Tire Changer

The Hunter TCX640HD is an efficient electro-hydraulic-powered tire changer that combines a range of unique features and capabilities to make wheel service for trucks, buses, tractors and other specialized machinery faster, easier and more profitable.

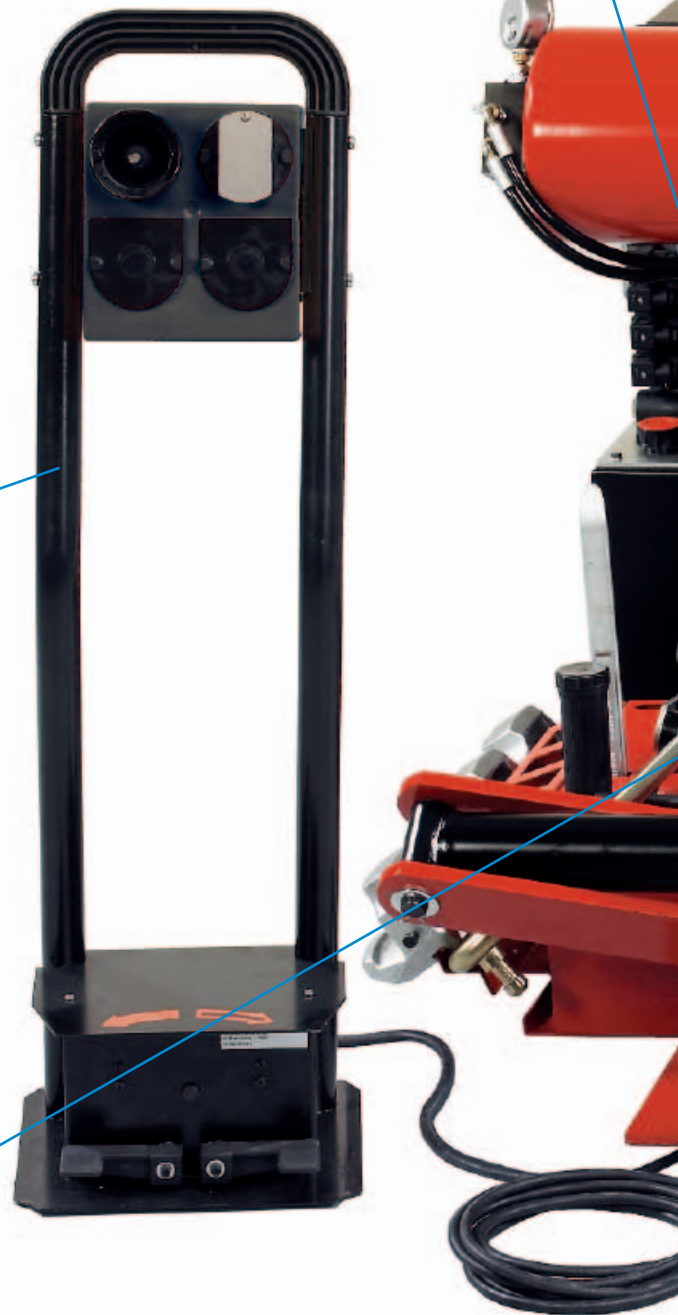
Power pump runs only when
is in use for more efficient op
reduction of associated costs



The pedestal control unit is positionable anywhere around the tire changer for maximum visibility of operations, safety and efficiency. Hand and foot controls actuate multiple operations for delicate bead breaking, mounting and demounting, minimizing the potential for tire or rim damage.

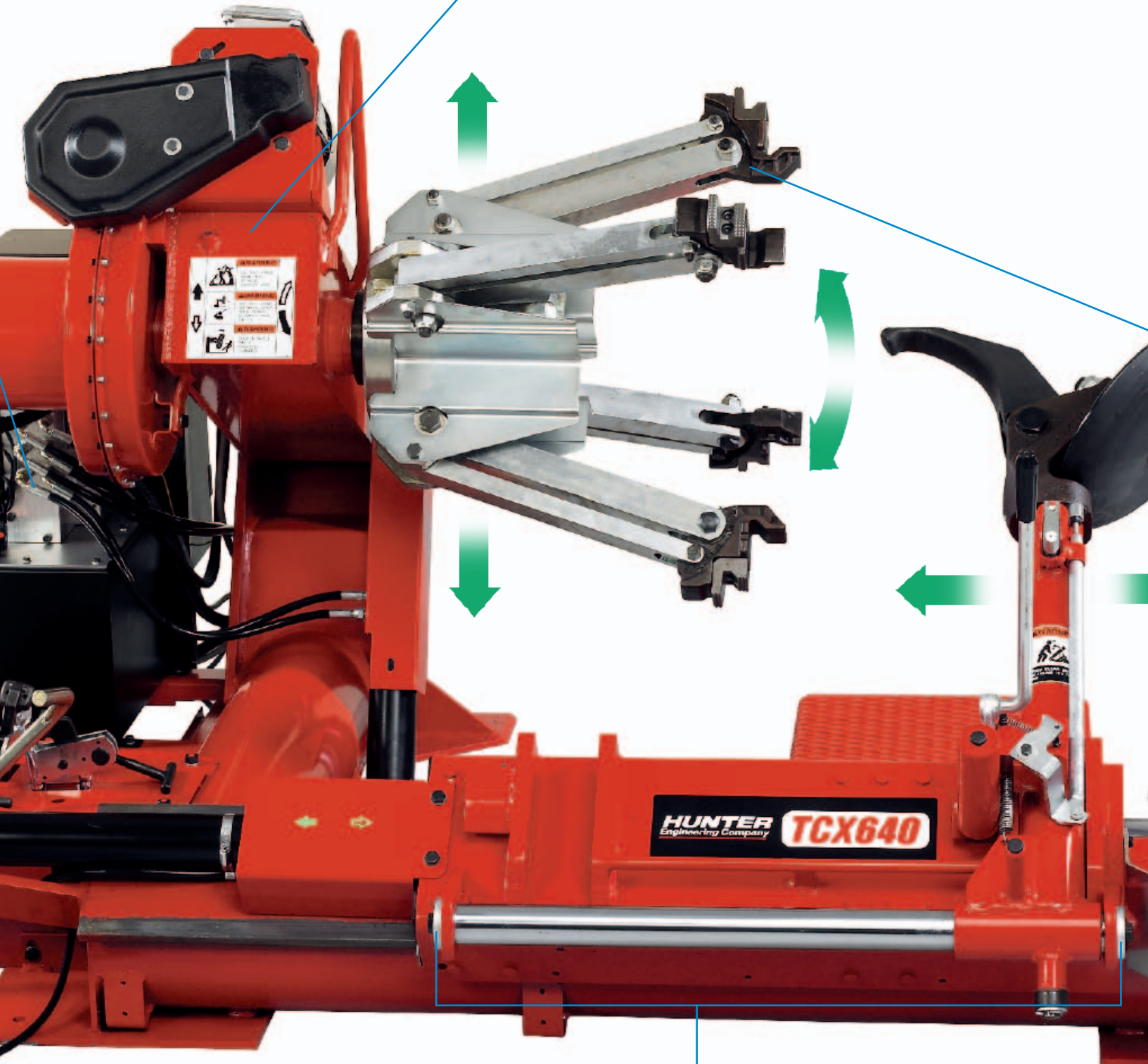


Integrated tool storage is conveniently located on the tire changer base, increasing operating efficiency and helping prevent damage and loss.

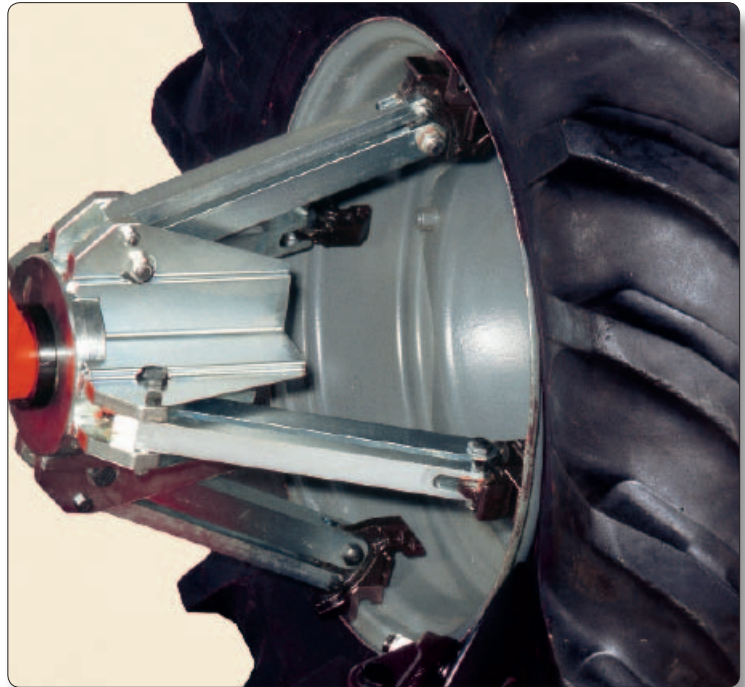


the tire changer
operation and
S.

Heavy-duty spindle head with 3,500-lb.
capacity raises and lowers, lifting
the wheel into position.



Hydraulic-powered carriage shuttles the
wheel sideways and positions it on and
off of the tulip clamping chuck.



Tulip system provides universal, self-centering, standard clamping capacity of 14 to 46 inches. Two-speed chuck rotation operates clockwise and counter-clockwise.



Tool head includes standard disk and hook for bead loosening, mounting and demounting tires. The hook tool folds out of the way when not in use. Standard and optional tool heads are quickly and easily changed out.

The TCX640HD Quickly Services Difficult Wheel Assemblies

Mounting and Demounting Tubed and Tubeless Over-the-Road Tires...



Position the wheel pliers and roll the first bead onto the rim. Reposition the pliers and roll the second bead on. It's that easy!



Bead loosening and demounting can be as easy as rolling the tire off of the rim in a single step.

Tubed and Tubeless Super Single Wheel Assemblies...



The standard hook tool is used to mount and demount tubed and super single tires or more difficult-to-handle wheel assemblies.

Special Equipment Wheel Assemblies...

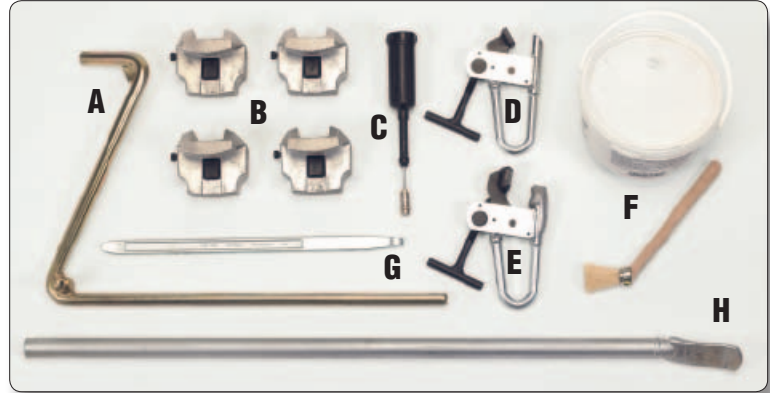


Tractor, implement and other specialty machine wheel assemblies are serviced using the same tools and techniques.

TCX640HD Heavy-Duty Tire Changer

Standard Accessories

- A. Bead Guide Bar
- B. Alloy Wheel Clamping Jaws
- C. Grease Gun
- D. Steel Wheel Pliers
- E. Aluminum Wheel Pliers
- F. Lubricant and Application Brush
- G. Standard Lever
- H. Bead Lever



Optional Accessories

- A. RP11-2306040
Tubeless Roller for easy bead loosening, mounting and demounting of tubeless truck and bus tires.
- B. RP11-2200239
Extensions for self-centering tulip chuck. Expands clamping size capacity to 56 inches.



Specifications

Power Capacity:	
- Pump motor	2 hp
- Gearbox motor	2 hp
Rim clamping capacity	14 - 46 in. standard Up to 56 in. with optional accessories
Max. wheel assembly diameter	90.5 in. (2299 mm)
Max. wheel assembly width	42 in. (1067 mm)
Max. wheel assembly weight	3,500 lbs. (1588 kg)
Operating voltage	230V 3 Phase-60hz, 26A
Torque	4,800 ft-lbs – low speed 3,300 ft-lbs – high speed
Speed	10 rpm and 5 rpm

Model Number

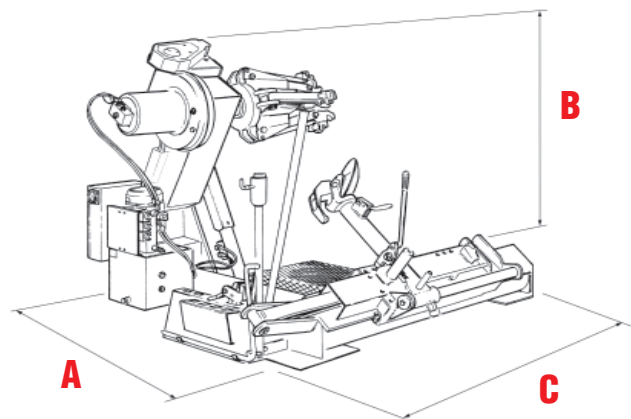
TCX643HD

Because of continuing technological advancements, specifications, models and options are subject to change without notice.



0710DAP3M.60

TCX640HD Dimensions



	Minimum	Maximum
A	64 in (1626 mm)	83 in (2108 mm)
B	37 in (940 mm)	61 in (1549 mm)
C	80 in (2032 mm)	94 in (2388 mm)

Weight: 1,631 lbs (740 kg)

HUNTER
Engineering Company

www.hunter.com